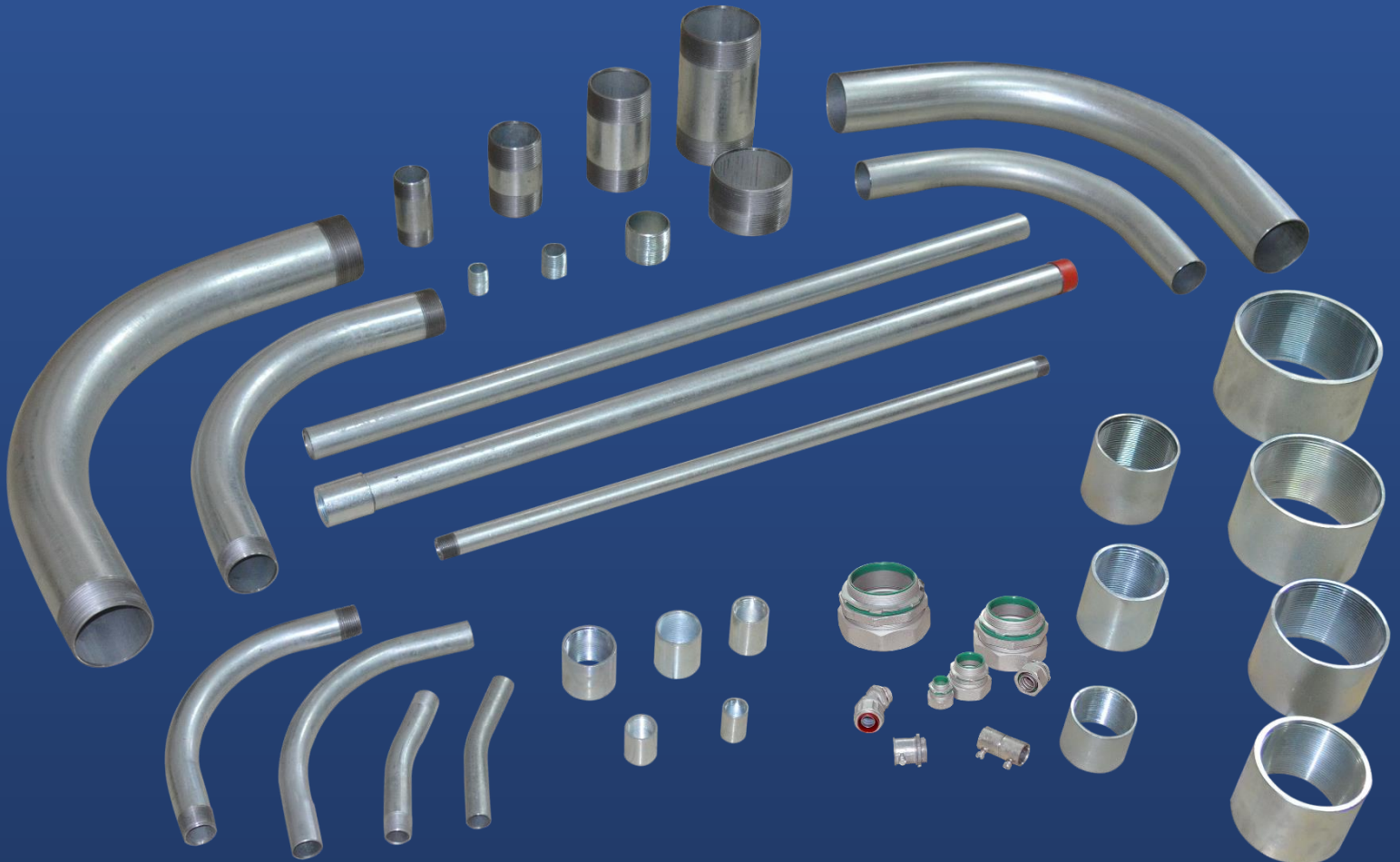
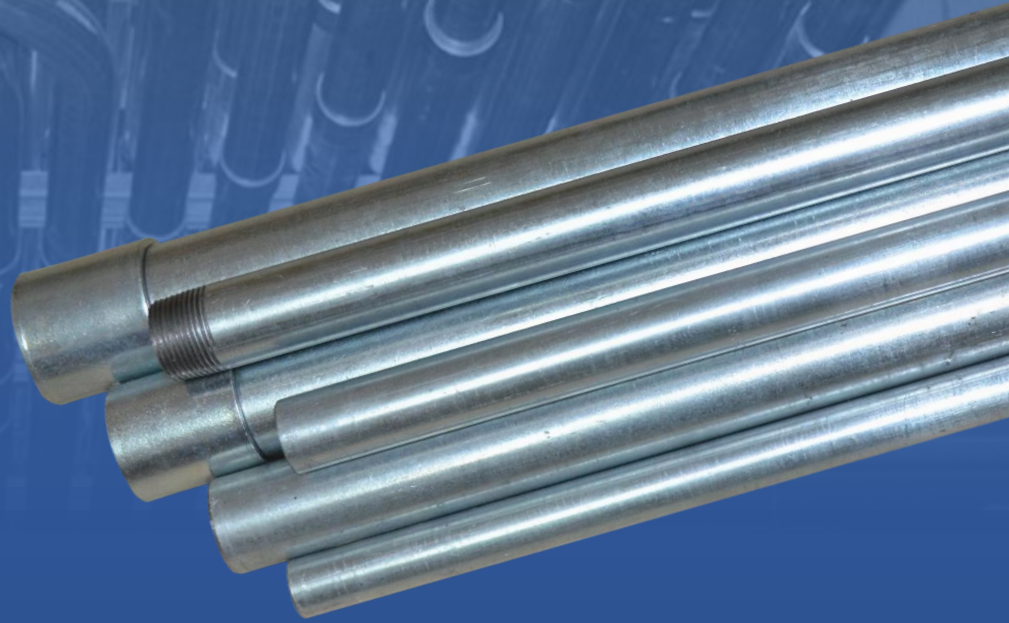


BBP

**Vandewater
Associates**

**ELECTRICAL
CONDUIT & FITTINGS**



EMT- Electrical Metallic Tubing



File# E483379
 UL797, ANSI C80.3
 CSA C22.2 No. 83.1-07
 Sizes: 1/2" - 4"



Electrical Metallic Tubing is light gauge steel raceway used to protect wiring from physical damage and fire. It shields electrical fields emitted by the wiring and acts as a ground. The thick coating of zinc galvanization on the interior and exterior of the conduit provides excellent corrosion resistance from environmental, chemical and mechanical degradation.



BBP provides EMT conduit in hex bundles according to the detail specifications in the chart blow. Standard length is 10 feet but other lengths are available, each piece comes with a UL label.

Trade Size		Per Piece						Per 100 ft.		Per Hex Bundle		
		Outside Diameter		Wall Thickness		Length		Min Wt. Per 100ft. (30.5M)		Pieces Per Bundle	Feet Per Bundle	Weight Per Bundles
In.	Metric	in.	mm	in.	mm	ft.	meters	lb.	kgs	pcs	ft.	kgs
1/2	16	0.706	17.93	0.042	1.067	10	3.05	28.5	12.93	400	4000	532
3/4	21	0.922	23.42	0.049	1.245	10	3.05	43.5	19.73	300	3000	580
1	27	1.163	29.54	0.057	1.448	10	3.05	64	29.03	100	1000	304
1 1/4	35	1.510	38.35	0.065	1.651	10	3.05	95	43.09	60	600	262
1 1/2	41	1.740	44.20	0.065	1.651	10	3.05	110	49.90	50	500	252
2	53	2.197	55.80	0.065	1.651	10	3.05	140	63.50	60	600	401
2 1/2	63	2.875	73.03	0.072	1.829	10	3.05	205	92.99	61	610	600
3	78	3.500	88.90	0.072	1.829	10	3.05	250	113.40	51	510	621
3 1/2	91	4.000	101.60	0.083	2.108	10	3.05	325	147.42	50	500	751
4	103	4.500	114.30	0.083	2.108	10	3.05	370	167.83	30	300	546

Tolerances:

Length: 10Ft (3.05m)±¼" (±6.35mm)

Outside Diameter: ½"-2"±0.005"(±0.13mm); 2½"±0.010"(±0.25mm); 3"±0.015"(±0.38mm); 3½"-4"±0.020"(±0.51mm)

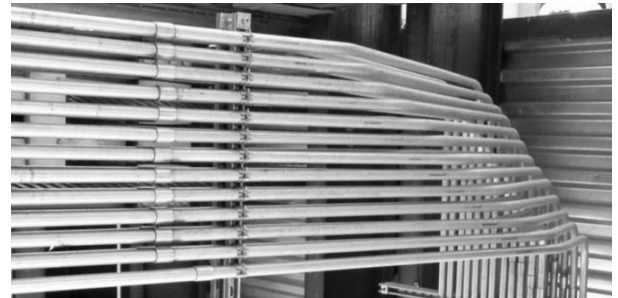
RMC - Rigid Metal Conduit



File# E483380
 UL6, ANSI C80.1
 CSA C22.2 No. 45.1-07
 Sizes: 1/2" - 6"



Rigid Metal Conduit is heavy gauge steel raceway used to protect wiring physical damage and fire. It shields electrical fields emitted by the wiring and acts as a ground. The thick coating of zinc galvanization on the interior and exterior of the conduit provides excellent corrosion resistance from environmental, chemical and mechanical degradation.



BBP provides Rigid conduit in hex bundles according to the detail specifications in the chart below. Standard length is 10 feet (including coupling) but other lengths are available, each piece of conduit ships with an electrical coupling attached on one end and UL labels.

Trade Size		Per Piece						Per 100 ft.		Per Hex Bundle		
		Outside Diameter		Wall Thickness		Length without Couplings		Min Wt. Per 100ft. (30.5M) with couplings		Pieces Per Bundle	Feet Per Bundle	Weight Per Bundles
In.	Metric	in.	mm	in.	mm	ft. & in	meters	lb.	kgs	pcs	ft	kgs
1/2	16	0.840	21.34	0.104	2.60	9'11-1/4"	3.030	79.0	35.8	100	1000	384
3/4	21	1.050	26.67	0.107	2.70	9'11-1/4"	3.030	105.0	47.6	100	1000	504
1	27	1.315	33.40	0.126	3.20	9'11"	3.025	153.0	69.4	100	1000	730
1 1/4	35	1.660	42.16	0.133	3.40	9'11"	3.025	201.0	91.2	60	600	589
1 1/2	41	1.900	48.26	0.138	3.50	9'11"	3.025	249.0	112.9	50	500	614
2	53	2.375	60.33	0.146	3.70	9'11"	3.025	332.0	150.6	37	370	567
2 1/2	63	2.875	73.03	0.193	4.90	9'10-1/2"	3.010	527.0	239.0	37	370	938
3	78	3.500	88.90	0.205	5.20	9'10-1/2"	3.010	682.0	309.6	30	300	992
4	103	4.500	114.30	0.225	5.70	9'10-1/4"	3.005	972.3	441.0	20	200	928

Tolerances:

Length for Straight Conduit: +1/4" (6.35mm) without Coupling; Length for Finished Conduit:10ft (3.05m) with coupling
 Outside Diameter: 1/2" - 1 1/2" ±0.015" (±0.38mm); 2" - 6" ±1%

EMT Elbows

American Standard:

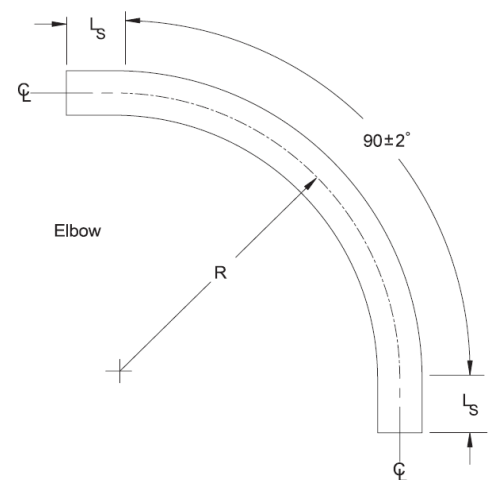


File# E483379
 UL797, ANSI C80.3
 CSA C22.2 No. 83.1-07
 Sizes: 1/2" - 4"
 90°, 45°, 30°, 22.5°,
 15° & 11.25°
 Standard Elbows



Minimum Dimensions for 90° Elbows

Trade Size		Radius (R) to Center of Tube		Length (L _s) of Each Straight End	
In.	Metric	in.	mm	in.	mm
1/2	16	4	102	1-1/2	38
3/4	21	4-1/2	114	1-1/2	38
1	27	5-3/4	146	1-7/8	48
1 1/4	35	7-1/4	184	2	51
1 1/2	41	8-1/4	210	2	51
2	53	9-1/2	241	2	51
2 1/2	63	10-1/2	267	3	76
3	78	13	330	3-1/8	79
3 1/2	91	15	381	3-1/4	83
4	103	16	406	3-3/8	86



RMC Elbows

American Standard:

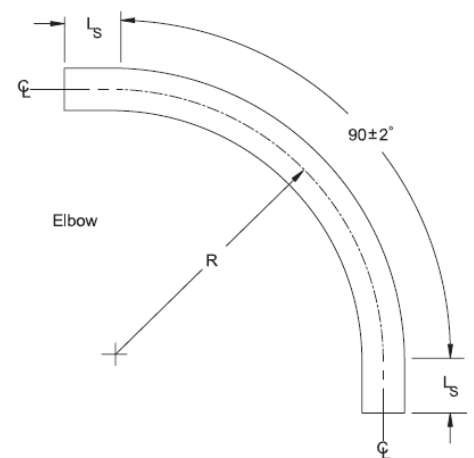


File# E483380
 UL6, ANSI C80.1
 CSA C22.2 No. 45.1-07
 Sizes: 1/2" - 6"
 90°, 45°, 30°, 22.5°,
 15° & 11.25°
 Standard Elbows



Minimum Dimensions for 90° Elbows

Trade Size		Radius (R) to Center of Tube		Straight Length (L _s) at Each End	
In.	Metric	in.	mm	in.	mm
1/2	16	3	102	1-1/2	38
3/4	21	4-1/2	114	1-1/2	38
1	27	5-3/4	146	1-7/8	48
1 1/4	35	7-1/4	184	2	51
1 1/2	41	8-1/4	210	2	51
2	53	9-1/2	241	2	51
2 1/2	63	10-1/2	267	3	76
3	78	12	330	3-1/8	79
3 1/2	91	15	381	3-1/4	83
4	103	16	406	3-3/8	86
5	129	24	610	3-5/8	92
6	155	30	762	3-3/4	95

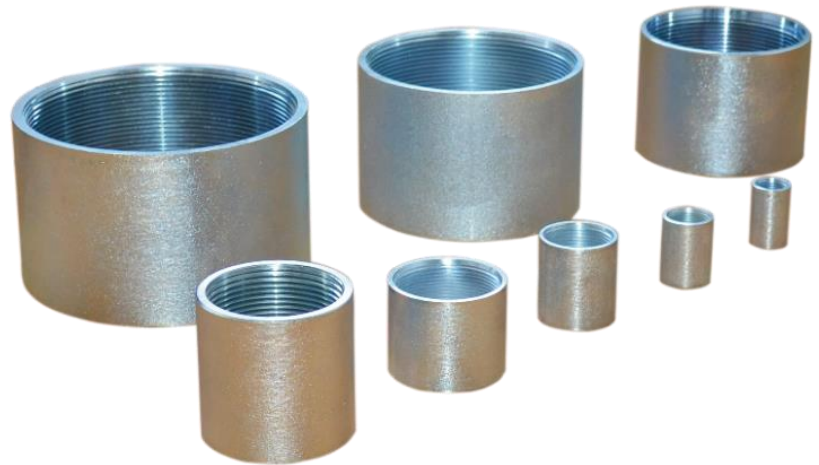


RMC Couplings

American Standard:
Straight-Tapped Conduit Couplings



File# E483380
UL6, ANSI C80.1
CSA C22.2 No. 45.1-07
Sizes: 1/2" - 6"



Dimensions of Straight-Tapped Conduit Couplings

Trade Size		Min. Acceptable Length of Couplings		Outside Diameter		Min. Pitch Diameters		Min. Chamfer Diameter	
In.	Metric	in.	mm	in.	mm	in.	mm	in.	mm
1/2	16	1-5/8	41.3	1.01	25.7	0.801	20.35	0.798	20.27
3/4	21	1-41/64	41.7	1.25	31.8	1.011	25.68	1.008	25.60
1	27	1-31/32	50.0	1.52	38.7	1.267	32.18	1.260	32.00
1 1/4	35	2-1/32	51.6	1.87	47.5	1.612	40.94	1.605	40.77
1 1/2	41	1-2/16	52.4	2.16	54.7	1.852	47.04	1.845	46.86
2	53	2-1/8	54	2.65	67.3	2.327	59.11	2.320	58.93
2 1/2	63	3-3/16	81	3.25	82.6	2.806	71.27	2.800	71.12
3	78	3-5/16	84.1	3.87	98.3	3.431	87.15	3.425	87.00
3 1/2	91	3-13/32	86.5	4.50	114.3	3.931	99.85	3.925	99.70
4	103	3-33/64	89.3	4.88	123.8	4.431	112.60	4.425	112.40
5	129	3-61/64	100.4	6.00	152.4	5.494	139.60	5.519	140.20
6	155	4-1/4	108.0	7.20	182.9	6.556	166.60	6.591	167.40

RMC Nipples

American Standard:



File# E483380
 UL6, ANSI C80.1
 CSA C22.2 No. 45.1-07
 Sizes: 1/2" - 6"



Trade Size		Number of Threads per in (25.4mm)	Total Length of Threads		Effective Length of Threads		Pitch Diameter at End of Conduit	
In.	Metric		in.	mm	in.	mm	in.	mm
1/2	16	14	0.78	19.8	0.53	13.5	0.758	19.26
3/4	21	14	0.79	20.1	0.55	14.0	0.968	24.58
1	27	11-1/2	0.98	24.9	0.68	17.3	1.214	30.83
1 1/4	35	11-1/2	1.01	25.7	0.71	18.0	1.577	39.55
1 1/2	41	11-1/2	1.03	26.2	0.72	18.3	1.796	45.62
2	53	11-1/2	1.06	26.9	0.76	19.3	2.269	57.63
2 1/2	63	8	1.57	39.9	1.14	29	2.720	69.08
3	78	8	1.63	41.4	1.2	30.5	3.341	84.85
3 1/2	91	8	1.68	42.7	1.25	31.8	3.838	97.47
4	103	8	1.73	43.9	1.3	33	4.334	110.09
5	129	8	1.84	46.7	1.41	35.8	5.391	136.93
6	155	8	1.95	49.5	1.51	38.4	6.446	163.73

CERTIFICATES

CERTIFICATE OF COMPLIANCE

Certificate Number 20160429-E483380
Report Reference E483380-20160429
Issue Date 2016-APRIL-29

Issued to: BEIJING BELL PLUMBING MANUFACTURING LTD
Huoxing North St
Huoxian Town
Tongzhou District
Beijing
101109 CHINA

This is to certify that representative samples of RIGID FERROUS METAL CONDUIT
See addendum page

Have been investigated by UL in accordance with the Standard(s) indicated on this Certificate.

Standard(s) for Safety: UL 6, Standard for Safety for Electrical Rigid Metal Conduit – Steel
CSA C22.2 No. 45.1-07, Electrical Rigid Metal Conduit – Steel

Additional Information: See the UL Online Certifications Directory at www.ul.com/database for additional information

Only those products bearing the UL Certification Mark should be considered as being covered by UL's Certification and Follow-Up Service.

Look for the UL Certification Mark on the product


UL LLC
www.ul.com



Page 1 of 2

CERTIFICATE OF COMPLIANCE

Certificate Number 20160429-E483380
Report Reference E483380-20160429
Issue Date 2016-APRIL-29

This is to certify that representative samples of the product as specified on this certificate were tested according to the current UL requirements.

USL, CNL

Steel rigid metal conduit, trade sizes 1/2, 3/4, 1, 1-1/4, 1-1/2, 2, 2-1/2, 3, 3-1/2, 4, 5, 6.

Steel rigid metal conduit couplings, trade sizes 1/2, 3/4, 1, 1-1/4, 1-1/2, 2, 2-1/2, 3, 3-1/2, 4, 5, 6.

Steel rigid metal conduit elbows 90°, trade sizes 1/2, 3/4, 1, 1-1/4, 1-1/2, 2, 2-1/2, 3, 3-1/2, 4, 5, 6.

Steel rigid metal conduit nipples, trade sizes 1/2, 3/4, 1, 1-1/4, 1-1/2, 2, 2-1/2, 3, 3-1/2, 4, 5, 6.


UL LLC
www.ul.com



Page 2 of 2

CERTIFICATE OF COMPLIANCE

Certificate Number 20160429-E483379
Report Reference E483379-20160429
Issue Date 2016-APRIL-29

Issued to: BEIJING BELL PLUMBING MANUFACTURING LTD
Huoxing North St, Huoxian Town
Tongzhou District, Beijing, 101109 CHINA

This is to certify that representative samples of ELECTRICAL METALLIC TUBING
USL, CNL: Steel electrical metallic tubing, trade sizes 1/2, 3/4, 1, 1-1/4, 1-1/2, 2, 2-1/2, 3, 3-1/2, 4.
Steel electrical metallic tubing elbows 90°, trade sizes 1/2, 3/4, 1, 1-1/4, 1-1/2, 2, 2-1/2, 3, 3-1/2, 4.

Have been investigated by UL in accordance with the Standard(s) indicated on this Certificate.

Standard(s) for Safety: UL 797 - Standard for Electrical Metallic Tubing – Steel
CSA C22.2 No. 83.1-07 - and Standard for Electrical Metallic Tubing – Steel

Additional Information: See the UL Online Certifications Directory at www.ul.com/database for additional information

Only those products bearing the UL Certification Mark should be considered as being covered by UL's Certification and Follow-Up Service.

Look for the UL Certification Mark on the product.


UL LLC
www.ul.com



Page 1 of 1

Vandewater Associates

8551 W. Sunrise Blvd. #204 Plantation, FL. 33322 Tele: 954-370-8565 Fax: 954-370-8850

www.vandewaterassociates.com